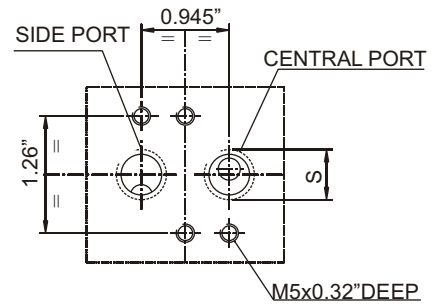
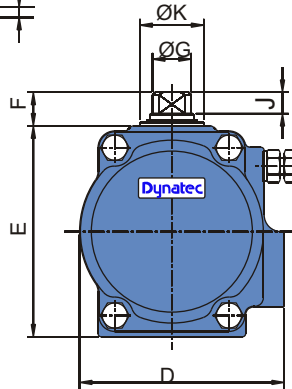
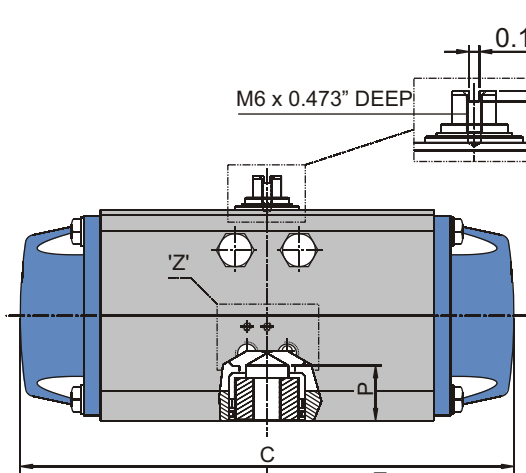


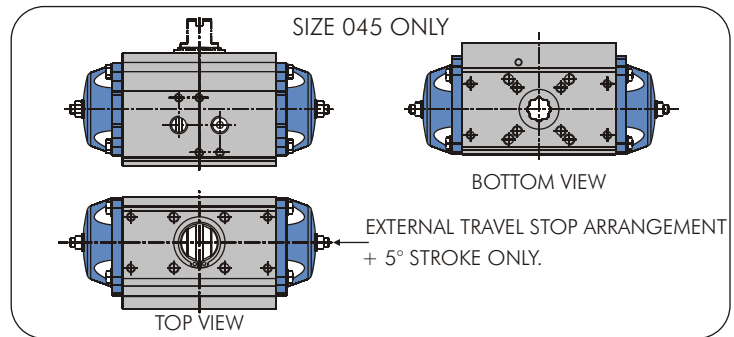
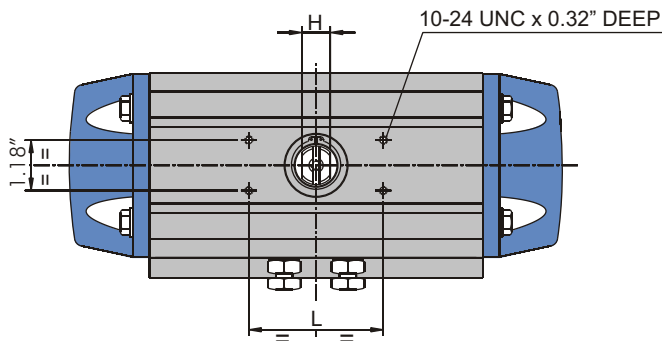
SHAFT CONNECTION (FOR 200)

NOTE :- INSERTS AVAILABLE IN DOUBLE-D, ISO SQUARE AND ROUND AND KEYED OPTIONS



(FOR 045 TO 200)

DETAIL-Z'
SOLENOID VALVE CONNECTIONS TO NAMUR



Dimensions (Inch)

SIZE	ØA	ØA1	ØA2	ØB	ØB1	ØB2	C	D	E	F	ØG	H	J	ØK	L	ØM	N	P	Sq.	Q	S (NPT)
* 045	-	1.97	1.42	-	1/4"-20 X 0.35	10-24 UNCx0.32	5.94	2.46	2.60	0.79	0.87	0.47	0.55	1.18	3.15	-	-	-	0.43	0.47	1/8
055	2.76	1.97	1.42	5/16"-18 x 0.47	1/4"-20 X 0.35	10-24 UNCx0.32	6.61	2.87	2.97	0.79	0.59	0.47	0.55	0.92	3.15	0.55	0.39	1.28	0.43	0.47	1/8
065	2.76	1.97	-	5/16"-18 x 0.47	1/4"-20 X 0.35	-	8.37	3.33	3.46	0.79	0.70	0.55	0.55	1.18	3.15	0.55	0.39	1.28	0.55	0.63	1/4
075	2.76	1.97	-	5/16"-18 x 0.47	1/4"-20 X 0.35	-	9.25	3.68	3.86	0.79	0.70	0.55	0.55	1.18	3.15	0.75	0.51	1.28	0.67	0.75	1/4
085	2.76	1.97	-	5/16"-18 x 0.47	1/4"-20 X 0.35	-	10.80	4.15	4.28	0.79	0.83	0.67	0.55	1.34	3.15	0.75	0.51	1.28	0.67	0.75	1/4
100	4.01	2.76	-	3/8"-16 x 0.59	5/16"-18 x 0.47	-	11.58	4.80	4.95	0.79	0.91	0.67	0.55	1.50	3.15	0.87	0.63	1.28	0.87	0.94	1/4
115	4.92	4.01	2.76	1/2"-13 x 0.71	3/8"-16 x 0.59	5/16"-18 x 0.47	13.80	5.49	5.53	1.18	1.18	0.79	0.79	1.85	5.12	0.87	0.63	1.28	0.87	0.94	1/4
125	4.92	4.01	-	1/2"-13 x 0.71	3/8"-16 x 0.59	-	15.95	5.87	6.00	1.18	1.18	0.79	0.79	1.85	5.12	1.18	0.87	2.13	0.87	0.94	1/4
150	4.92	4.01	-	1/2"-13 x 0.71	3/8"-16 x 0.59	-	18.80	7.18	7.34	1.18	1.50	1.18	0.79	2.16	5.12	1.18	0.87	2.13	1.06	1.14	1/4
175	4.92	4.01	-	1/2"-13 x 0.71	3/8"-16 x 0.59	-	20.83	8.27	8.46	1.18	1.69	1.26	0.71	2.44	5.12	1.18	0.87	2.13	1.06	1.14	1/4
200	6.50	4.92	-	3/4"-10 x 1.18	1/2"-13 x 0.71	-	25.27	9.19	9.76	1.18	1.97	1.42	0.71	2.83	5.12	1.38	-	2.52	1.42	1.50	1/4

* 045 size actuator pinion design permits pinion to be inserted from top or bottom of the actuator to use all three bolt circles for mounting. Top mounting dimensions PCD - 1.65", Tapping 10-24 UNC x 0.32" DEEP. Bottom mounting dimensions (refer to chart).